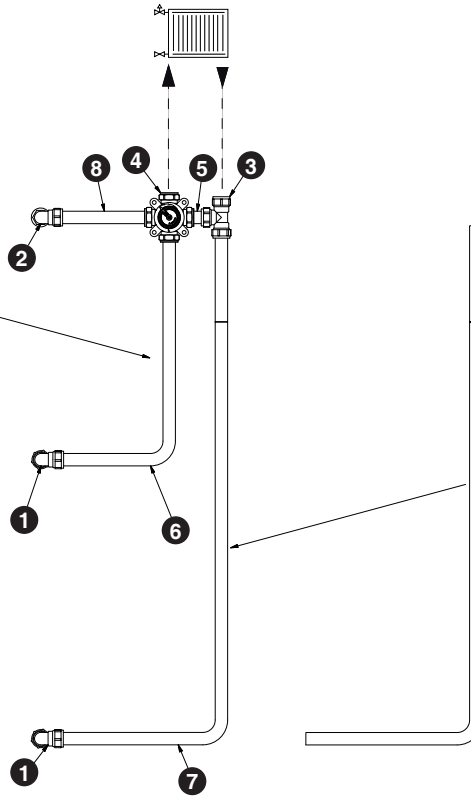
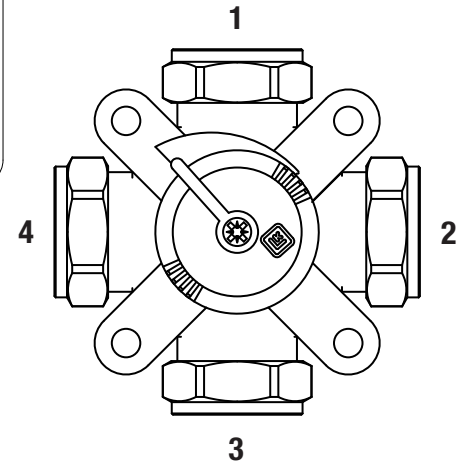


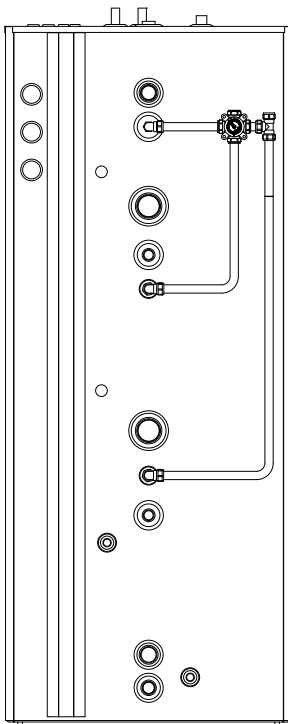
Aqualux 1000 Teknik.
Cut by the marking on the pipe.



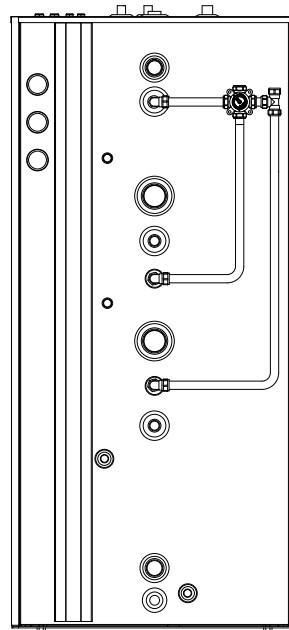
Aqualux 500 and 750 Teknik.
Cut by the marking on the pipe.



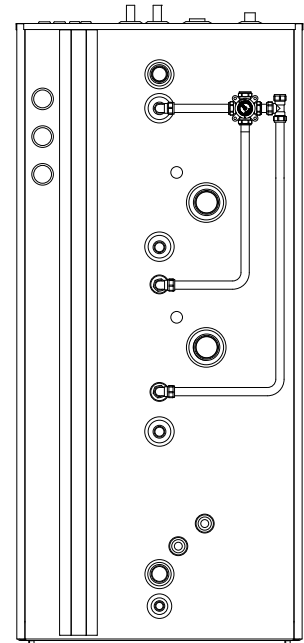
- | | | |
|---|---|--------|
| 1 | Conex, elbow $\varnothing 22$. 2 pcs. | 242031 |
| 2 | Conex, elbow $\varnothing 22/R20$ ext. | 242050 |
| 3 | Conex T $\varnothing 22$ | 242070 |
| 4 | Bivalent shunt valve | 260011 |
| 5 | Pipe $\varnothing 22 \times 57.5$ secondary | 711003 |
| 6 | Pipe $\varnothing 22$ mid zone | 711004 |
| 7 | Pipe $\varnothing 22$ cold zone | 711005 |
| 8 | Pipe $\varnothing 22 \times 187.5$ hot zone | 711117 |



Aqualux 1000 Teknik



Aqualux 750 Teknik



Aqualux 500 Teknik